

PF-20 SERIES

Designed For Low Pressure Open Applications - 75 PSI

FEATURES

- Available in flow rates of 15, 35, 65, 100, 140, 190 and 250 GPM.
- Positive filtration down to 10-micron. (lower micron media available).
- Non-code 304-stainless steel vessel rated at 75 psi with epoxy coated carbon steel hand-hole covers (optional higher pressure ratings and ASME code stamp available).
- Industrial grade brass 3-way ball valves and Sch. 80 PVC interconnecting piping (model PF-2036, PF-2042, and PF-2048 equipped with cast iron butterfly valves).
- Cast iron bronze fitted, close-coupled end suction centrifugal pump, TEFC motor and cast iron pre-strainer with removable SST basket.
- Skid - fusion bonded polyester coated carbon steel.
- Automatic option includes: Nema 4X control cabinet, door disconnect switch, motor short circuit/overload protection, electric actuator, step-down transformer, pressure differential switch, adjustable solid state timer and 24-hr. backwash clock.



APPLICATION

PUROFLUX's PF-20 series filtration systems are designed specifically to handle a wide variety of industrial water filtration applications. PF-20 permanent media filters use a silica sand media that easily backwashes for cleaning. The PF-20 filter provides an excellent method for removing dirt, precipitates and suspended solids.

TYPICAL APPLICATIONS INCLUDE:

- Cooling Towers
- Waste Water Discharge
- Pre-Filtration for Reverse Osmosis
- Secondary Water Treatment
- Pre-Filtration for Microfiltration
- Irrigation Systems
- Food Industries
- Aquatic Exhibits
- Fish Hatcheries

RELIABILITY

The PF-20 permanent media filters are designed to withstand the harshest environments and deliver long lasting reliability. PUROFLUX utilizes its extensive engineering background in process filtration and water treatment to provide simple, reliable systems that require minimum maintenance.

SERVICE

Technical field service representatives are available to provide guidance for application, installation and repair in both domestic and international markets.

AFFORDABILITY

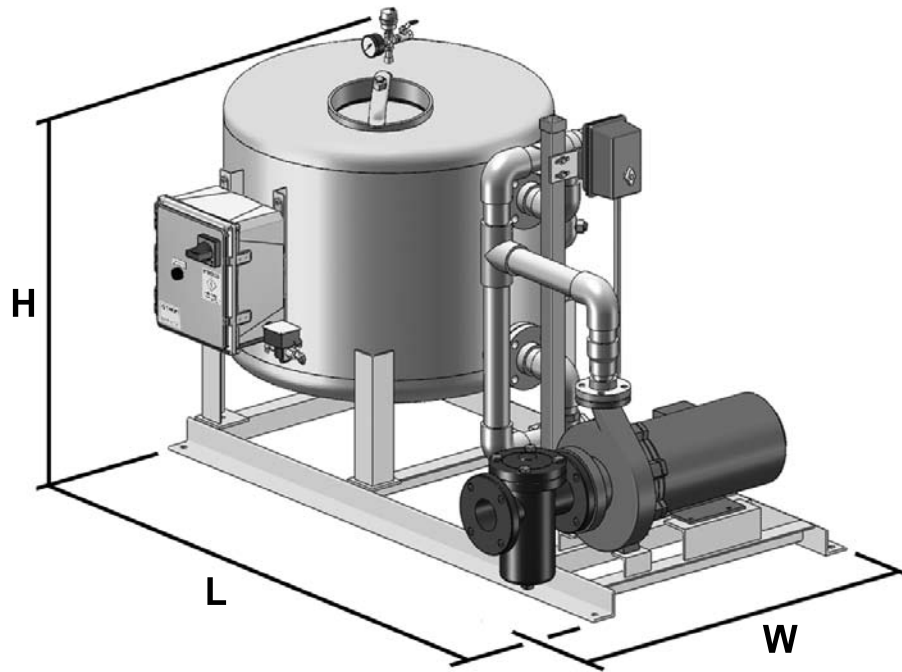
PUROFLUX's PF-20 permanent media filter is an affordable alternative to other comparable types of filtration, and with its low initial investment, offers a quick return on investment.

PF-20/01_10



PUROFLUX

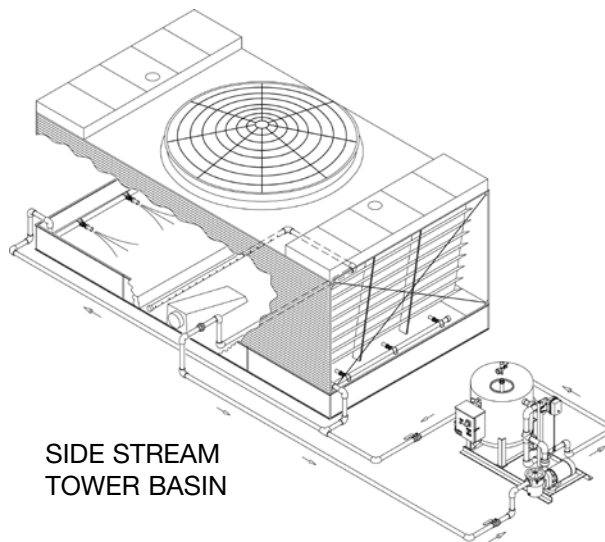
C O R P O R A T I O N
FILTRATION AND CONTROL SYSTEMS



MODEL Number	FLOW RATE GPM	FILTRATION AREA Sq. Ft.	VALVE SIZE Inches	MOTOR HP	DIMENSIONS			WEIGHT, LBS	
					L	H	W	Shipping	Oper.
PF-2012	15	0.78	1.0	1.0	36"	41"	27"	400	450
PF-2018	35	1.77	1.5	1.5	42"	41"	32"	570	730
PF-2024	65	3.14	1.5	2.0	49"	42"	35"	980	1240
PF-2030	100	4.91	2.0	3.0	56"	43"	40"	1120	1470
PF-2036	140	7.10	2.5	5.0	66"	48"	48"	1825	2365
PF-2042	190	9.60	3.0	5.0	74"	50"	52"	2530	3240
PF-2048	250	12.60	4.0	5.0	Consult Factory				

TYPICAL INSTALLATION

* Dimensions are approximate.
 ** Shipping weight includes media.



SIDE STREAM
TOWER BASIN

