

PF-64 SERIES

150 PSI PUMP PACKAGE SYSTEM

FEATURES

- Available in flow rates from 50 to 1,200 GPM.
- Standard unit equipped with PF-61 series separator.
- Cast iron bronze fitted, close-coupled end suction centrifugal pump with TEFC motor.
- Cast iron pre-strainer with removable SST basket.
- Control Panel - NEMA 4X cabinet with door disconnect switch, motor short circuit/overload protection, adjustable purge timer, purge and pump HOA switches.
- Skid - fusion bonded polyester coated carbon steel.
- Sch. 80 PVC interconnecting piping.
- Automatic purge complete with electrically actuated industrial grade ball valve.
- Options: Manual purge, removable dome, 22 1/2" profile separator.



APPLICATION

PUROFLUX's PF-64 pump package systems are designed specifically to remove dirt, sand, silt, precipitates, and suspended solids from process fluids. The PF-64 pump package will remove unwanted contaminants resulting in increased system efficiency and decreased operating costs.

TYPICAL APPLICATIONS INCLUDE:

- | | | |
|----------------------|-------------------------|------------------------|
| • Cooling Towers | • Well Water | • Industrial Processes |
| • Food Industries | • Waste Water Discharge | • Automotive Processes |
| • Aquatic Exhibits | • Potable Water | • Chemical Processes |
| • Irrigation Systems | • Fish Hatcheries | • Car Washes |

RELIABILITY

The PF-64 package systems are designed to withstand the harshest environments and deliver long lasting reliability. Puroflux utilizes its extensive engineering background in process filtration / separation to provide simple, reliable systems that require minimal maintenance.

SERVICE

Technical field service representatives are available to provide guidance for application, installation and repair in both domestic and international markets.

AFFORDABILITY

PUROFLUX's PF-64 pump package system is an affordable alternative to other comparable types of filtration, and with its low initial investment, offers a quick return on investment.

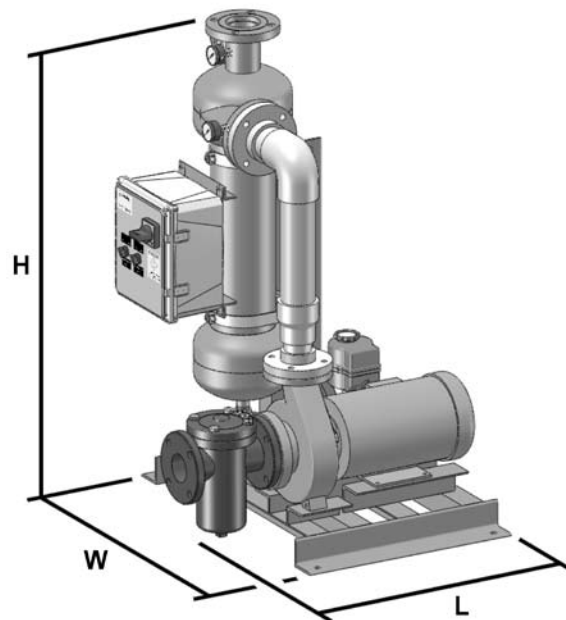
PF-64/01_10



PUROFLUX

C O R P O R A T I O N
FILTRATION AND CONTROL SYSTEMS

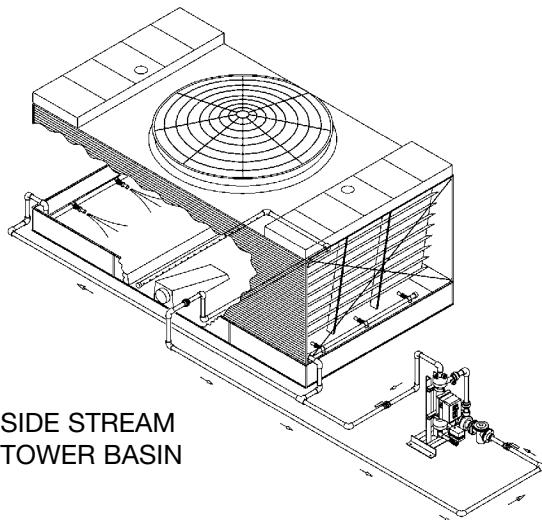
PF-64 SERIES - 150 PSI Pump Package System



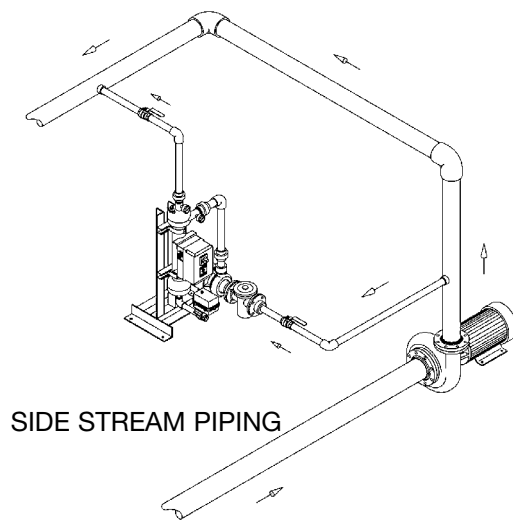
MODEL Number	FLOW RATE GPM	MOTOR HP	CONNECTION		PURGE Size	VOLUME Gallons	DIMENSIONS			WEIGHT, LBS	
			Inlet	Outlet			L	H	W	Shipping	Oper.
PF-64-012	50	2	2" flng	1.25" mpt	1" fpt	2	30"	42"	28"	314	330
PF-64-015	80	3	2" flng	1.5" mpt	1" fpt	2	30"	42"	28"	316	332
PF-64-020	110	5	3" flng	2" mpt	1" fpt	7	32"	50"	34"	380	437
PF-64-025	160	5	3" flng	2.5" mpt	1" fpt	8	34"	50"	34"	530	591
PF-64-030	220	7.5	3" flng	3" flng	1" fpt	8	34"	51"	34"	577	643
PF-64-040A	330	10	4" flng	4" flng	1.5" fpt	15	40"	63"	36"	800	926
PF-64-040B	400	10	4" flng	4" flng	1.5" fpt	15	40"	63"	36"	861	988
PF-64-050	600	15	6" flng	5" flng	1.5" fpt	24	47"	75"	42"	1045	1245
PF-64-060A	900	20	6" flng	6" flng	1.5" fpt	40	49"	88"	46"	1400	1732
PF-64-060B	1200	25	8" flng	6" flng	1.5" fpt	40	55"	88"	46"	1520	1852

Consult factory for higher flow rate packages.

TYPICAL INSTALLATION



SIDE STREAM TOWER BASIN



SIDE STREAM PIPING

