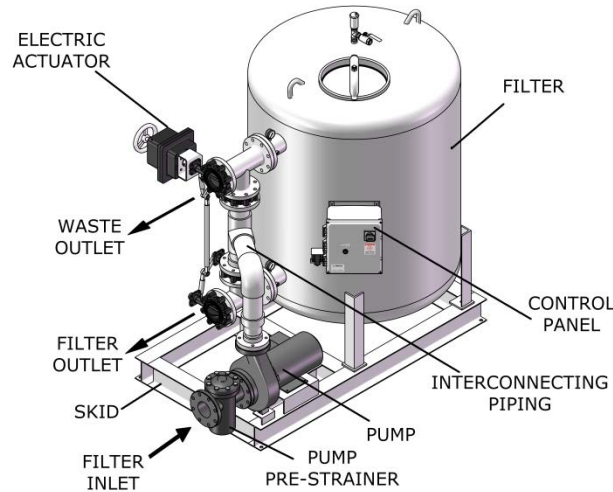


## PF-4066-02-01 SPECIFICATION SHEET PUMP PACKAGE SYSTEM



### Features:

- Removes particulate 10 microns and finer
- 50 psi working pressure
- Fully assembled skid package
- One year limited warranty

### Options:

- Higher pressure ratings
- ASME code stamped vessel

## SYSTEM COMPONENTS

SPECIFICATIONS	PF-4066-02-01
Flow Rate	475 GPM
Filtration Area	23.80 sq ft
Valve Size	6"
System Inlet Connection	6" flng
System Outlet Connection	4" flng
Waste Connection	4" flng
Backwash Connection	N/A
Pump Motor	10 HP
Est. Weight, Dry	10910 lbs
Est. Weight, Operating	17345 lbs

### Filter Vessel :

- Non-code carbon steel vessel
- Fusion-bond polyester coated vessel
- Manual & auto air vents
- Inlet/Outlet pressure gauges
- Cast iron butterfly valves

### Pump :

- Centrifugal pump
- TEFC motor
- Cast iron pre-strainer

### Skid :

- Fusion-bond polyester coated carbon steel

### Electrical Controls :

- UL labeled control panel
- Door disconnect switch
- Motor starter with Short-circuit/overload protection
- Electric actuator
- Local/Off/Remote Switch
- Pump Status/Trip
- Dry Contact Signals

### Backwash Controls :

- Pressure differential switch
- 24 Hour time clock
- Manual push button
- Adjustable solid state timer

### Interconnecting Pipe :

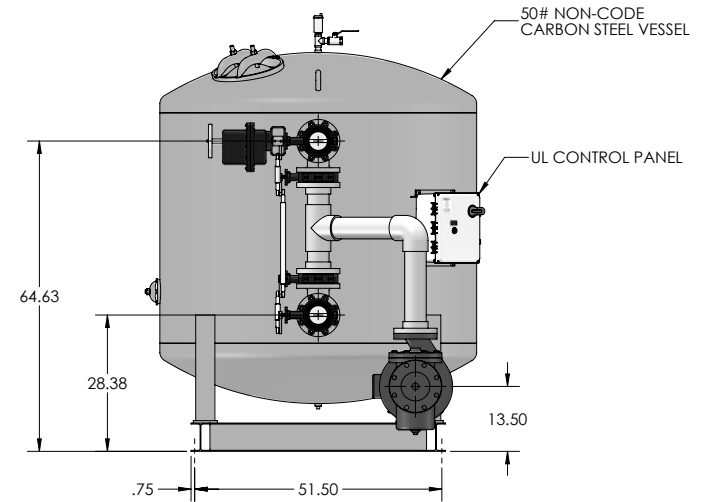
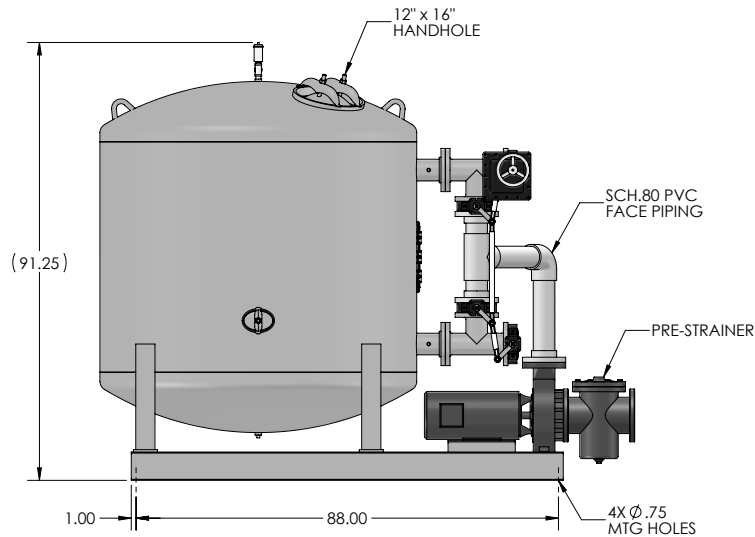
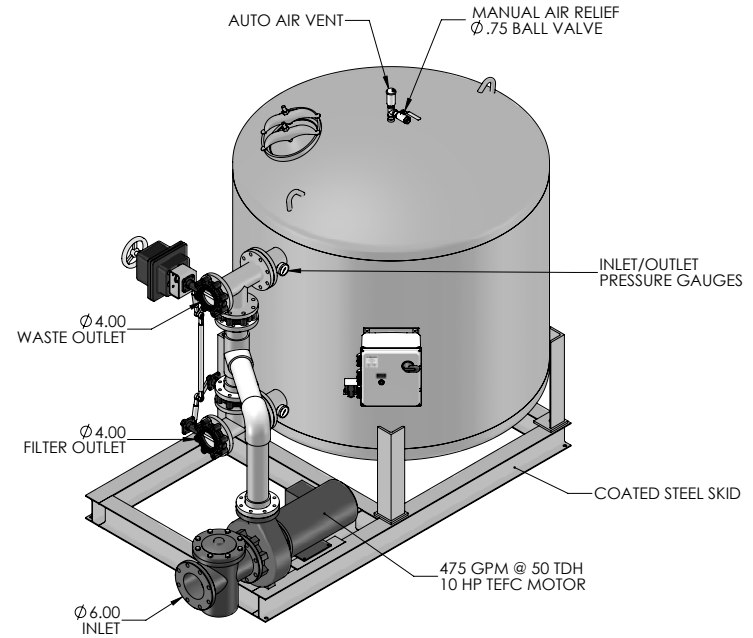
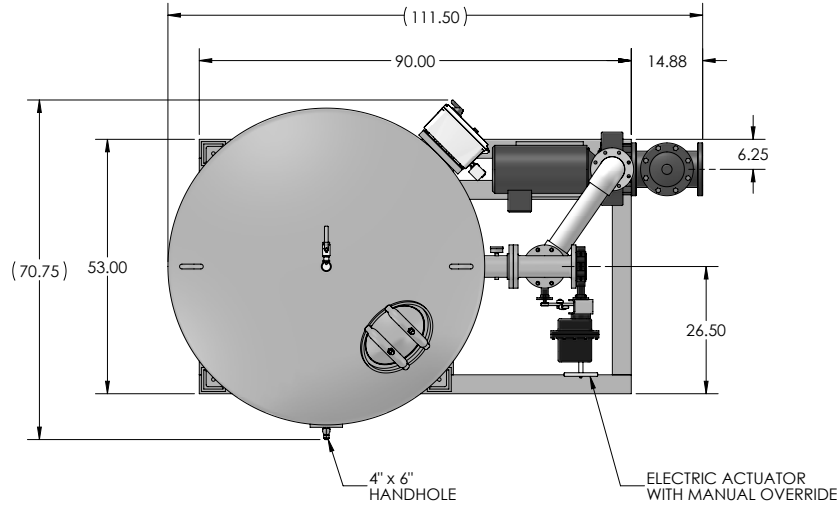
- Sch.80 PVC piping

\*Shipping weight includes media

NOTES: UNLESS OTHERWISE SPECIFIED

1. DIMENSIONS ARE IN INCHES
2. DIMENSIONS MAY VARY SLIGHTLY - DO NOT USE FOR CONSTRUCTION
3. FILTER SYSTEM RATED @ 50 PSI (WORKING)

REVISIONS			
REV	DESCRIPTION	DATE	APPROVED
C	REVISED TANK	5-9-19	D.L.



PROPRIETARY AND CONFIDENTIAL THE INFORMATION CONTAINED IN THIS DRAWING IS THE SOLE PROPERTY OF PUROFLUX CORPORATION. ANY REPRODUCTION IN PART OR AS A WHOLE WITHOUT THE WRITTEN PERMISSION OF PUROFLUX CORPORATION IS PROHIBITED.	PF-4066-02-01: FILTER SYSTEM SOURCE WATER BACKWASH		
	SIZE C DWG NO. 401-0244	REV C	
DRAWN D. LUNA	RELEASE DATE 7-21-14	SCALE NONE	SHEET 1 OF 1

REVISIONS			
REV	DESCRIPTION	DATE	APPROVED

PUMP MOTOR FULL LOAD AMPS ( 3Ø, 60Hz )				
MOTOR HP	208 VOLTS	230 VOLTS	460 VOLTS	575 VOLTS
1	3.22	2.8	1.4	1.12
1.5	5.01	4.36	2.18	1.94
2	6.44	5.6	2.8	2.24
3	9.59	8.34	4.17	3.34
5	15.5	13.5	5.76	5.41
7.5	22.4	19.5	9.79	7.81
10	29.2	25.4	12.7	10.1
15	45.1	39.2	19.6	15.7
20	58.9	51.2	25.6	20.5

FULL LOAD CURRENTS LISTED ABOVE ARE "AVERAGE VALUES" FOR HORSEPOWER RATED MOTORS OF SEVERAL MANUFACTURERS. THE RATED FULL LOAD CURRENT SHOWN ON THE MOTOR NAMEPLATE MAY VARY BY MANUFACTURER.

- NOTES**
- NOTES: UNLESS OTHERWISE SPECIFIED
- BRANCH CIRCUIT PROTECTION SUPPLIED BY OTHERS
  - PANEL U.L. LISTED AND LABELED
  - DASHED LINES INDICATE FIELD WIRING
  - SWITCH OPERATION  
 "LOCAL" - REMOTE STOP/START OVERRIDE  
 "OFF" - FILTER "OFF"  
 "AUTO" - FILTER ON/OFF VIA REMOTE STOP/STOP

**WARNING**

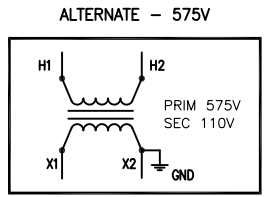
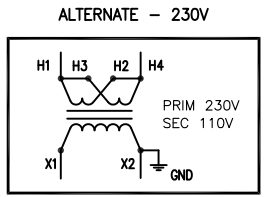
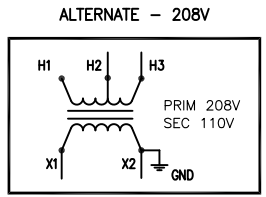
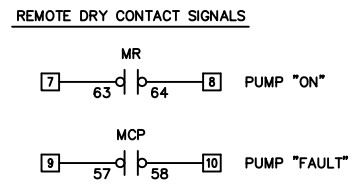
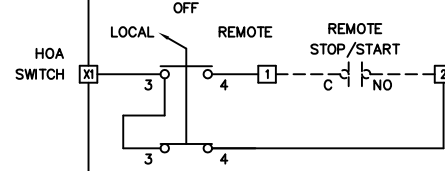
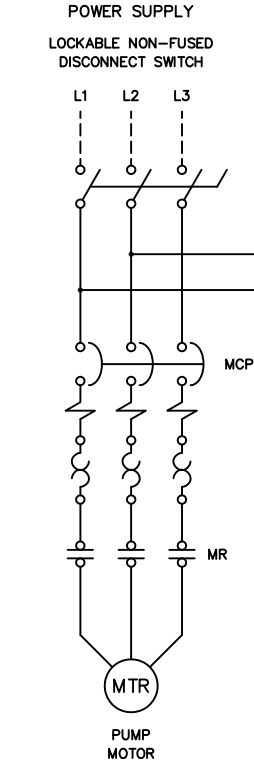
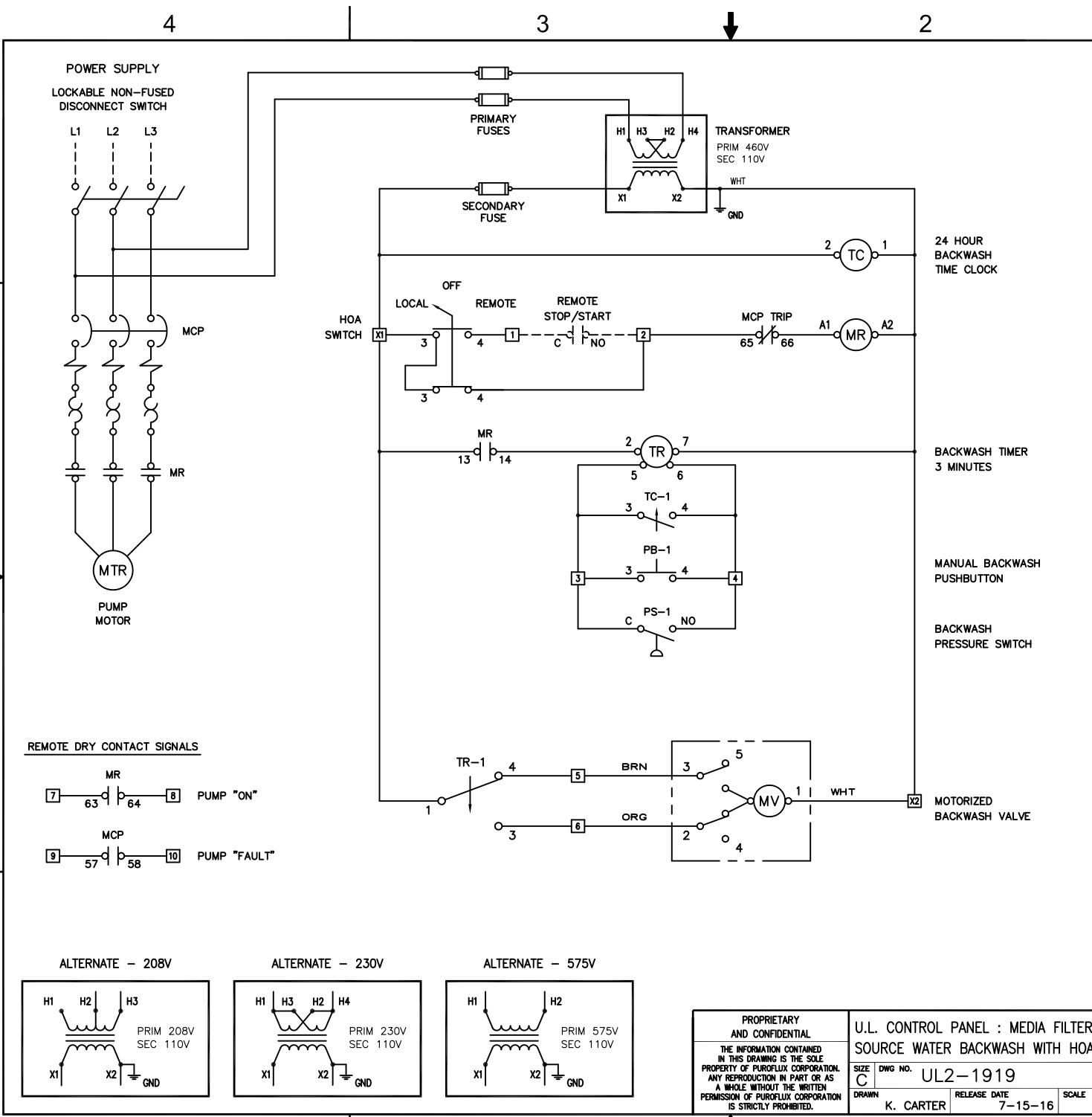
If an overload or fault current interruption occurs, circuits must be checked to determine the cause of the interruption. If a fault condition exists, the current carrying components should be examined and replaced if damaged, and the integral current sensors must be replaced to reduce the risk of fire or electric shock.

**CAUTION - RISK OF ELECTRICAL SHOCK**

More than one disconnect switch may be required to de-energize the equipment before servicing.

**WARNING - RISK OF FIRE OR ELECTRIC SHOCK**

The opening of the branch circuit protective device may be an indication that a fault current has been interrupted. All current carrying parts and other components protected by this device should be examined and replaced if damaged. If burnout of a current element of an overload relay occurs, the complete overload relay must be replaced.



PROPRIETARY AND CONFIDENTIAL  
 THE INFORMATION CONTAINED IN THIS DRAWING IS THE SOLE PROPERTY OF PUROFLUX CORPORATION. ANY REPRODUCTION IN PART OR AS A WHOLE WITHOUT THE WRITTEN PERMISSION OF PUROFLUX CORPORATION IS STRICTLY PROHIBITED.

U.L. CONTROL PANEL : MEDIA FILTER SOURCE WATER BACKWASH WITH HOA  
 SIZE DWG NO. UL2-1919  
 DRAWN K. CARTER RELEASE DATE 7-15-16 SCALE NONE

**PUROFLUX CORPORATION**  
 WWW.PUROFLUX.COM  
 SHEET 1 OF 1