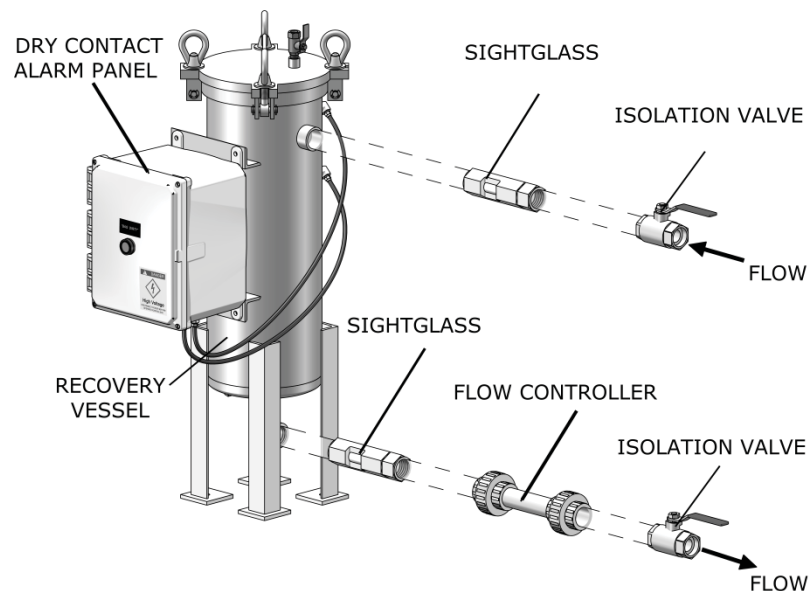


RECOVERY VESSEL PLUMBING PACKAGE



Features:

- (2) Isolation Ball Valves
- (2) Flow Sightglasses
- Flow Controller

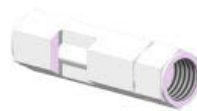
Isolation Ball Valve :

- Forced brass body
- Chrome plated ball



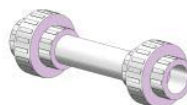
Sightglass :

- Brass body
- Borosilicate glass sight



Flow Controller :

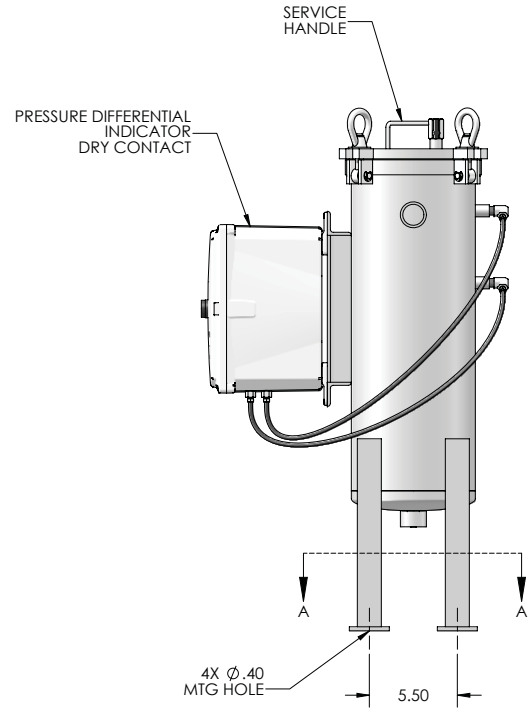
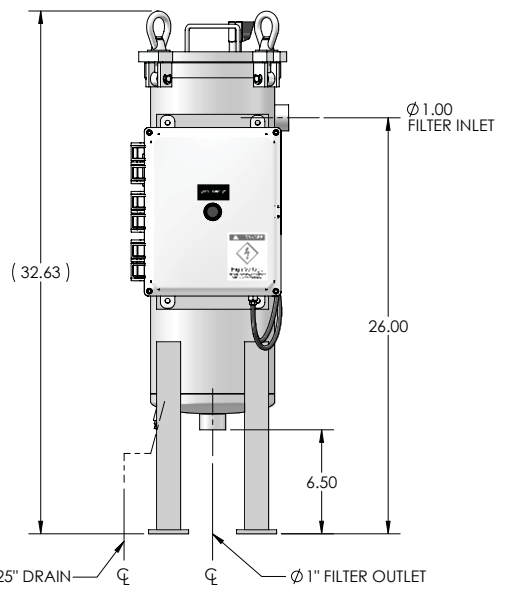
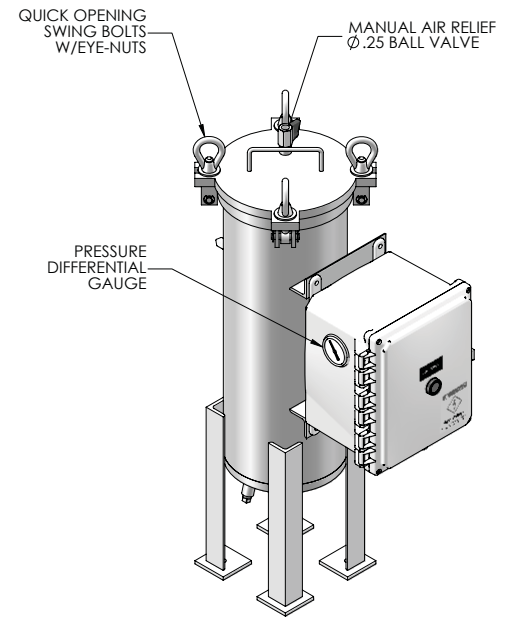
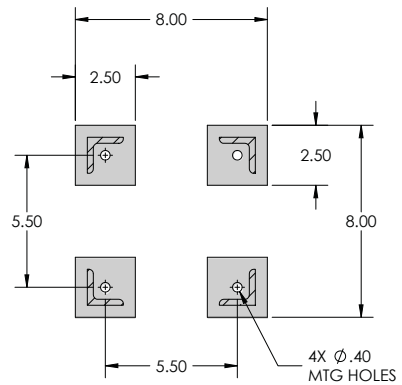
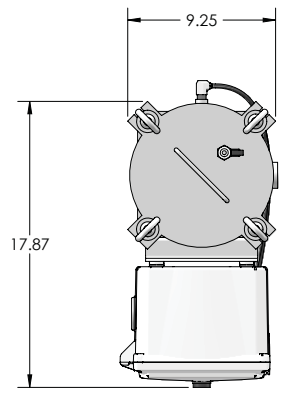
- Schedule 80 PVC
- Threaded union connections



PACKAGE MODEL	RECOVERY VESSEL	CONNECTION SIZE	FLOW RATE
PP-1S	PF-RV-1S	1" FPT	15 GPM

Note: All other interconnecting piping & fittings supplied by installing contractor

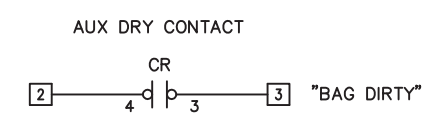
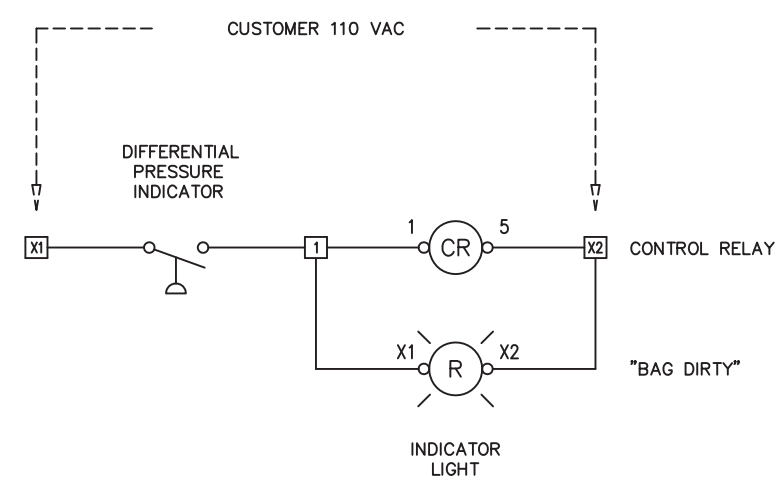
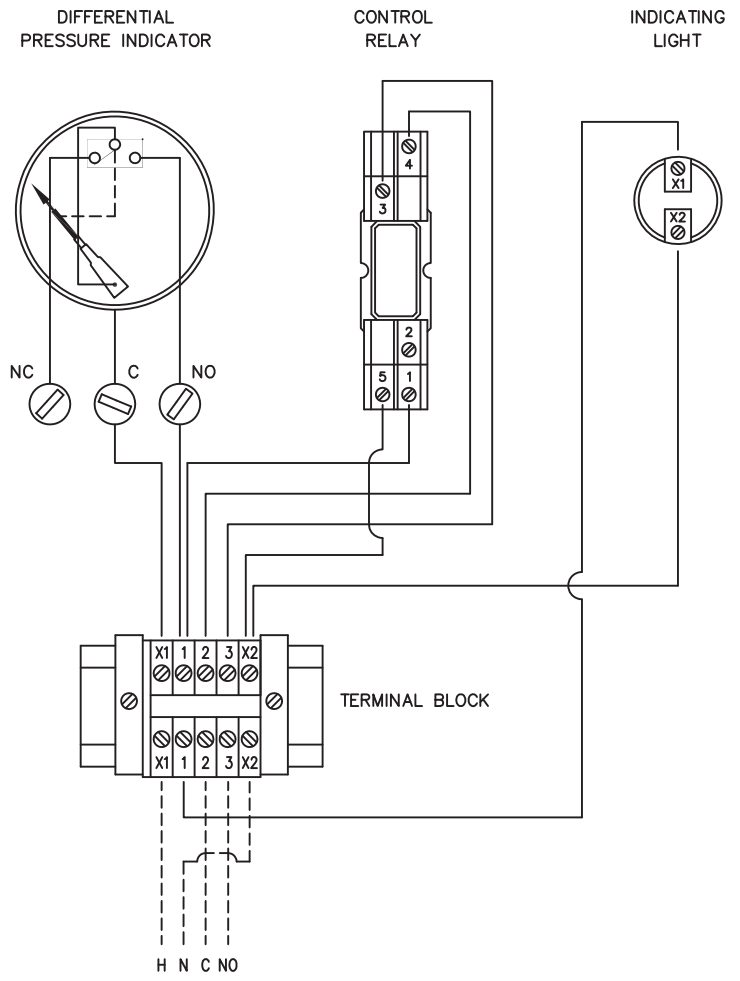
REVISIONS			
REV	DESCRIPTION	DATE	APPROVED
B	Ø1.00 INLET & OUTLET	5-16-11	D.L.



- 7. STAINLESS STEEL SUPPORT BASKET
 - 6. FILTER BAG: 50 MICRON
 - 5. PURGE FLOW RATE: 15 GPM
 - 4. VESSEL RATED FOR 150 PSI MAX WORKING PRESSURE
 - 3. VESSEL CONSTRUCTION: 304 STAINLESS STEEL
 - 2. DIMENSIONS MAY VARY SLIGHTLY - DO NOT USE FOR CONSTRUCTION
 - 1. DIMENSIONS ARE IN INCHES
- NOTES: UNLESS OTHERWISE SPECIFIED

PROPRIETARY AND CONFIDENTIAL THE INFORMATION CONTAINED IN THIS DRAWING IS THE SOLE PROPERTY OF PUROFLUX CORPORATION. ANY REPRODUCTION IN PART OR AS A WHOLE WITHOUT THE WRITTEN PERMISSION OF PUROFLUX CORPORATION IS PROHIBITED.	PFRV-1S: 304 SST VESSEL DRY CONTACT SIGNAL		
	SIZE C DWG NO. RV1-0070 DRAWN J. ROSALES	REV B RELEASE DATE 12-08-05 SCALE NONE	

REVISIONS			
REV	DESCRIPTION	DATE	APPROVED



PROPRIETARY AND CONFIDENTIAL THE INFORMATION CONTAINED IN THIS DRAWING IS THE SOLE PROPERTY OF PUROFLUX CORPORATION. ANY REPRODUCTION IN PART OR AS A WHOLE WITHOUT THE WRITTEN PERMISSION OF PUROFLUX CORPORATION IS STRICTLY PROHIBITED.	PF-RV SERIES : DRY CONTACT PANEL 110V : BAG DIRTY ALARM LIGHT		 PUROFLUX CORPORATION WWW.PUROFLUX.COM	
	SIZE C	DWG NO. RV2-0029		REV A
	DRAWN K. CARTER	RELEASE DATE 01-08-04		SCALE NONE
	SHEET 1 OF 1			